

<p>Issued 13-Aug-07</p>	<p>MATERIAL STANDARD ELECTRIC OPERATIONS ORGANIZATION</p> <p style="text-align: center;"></p>	<p>M1208</p> <p>Revision 0 Page 1 of 4</p>
-----------------------------	--	--

M1208

****This standard supersedes COM Electric Construction Standard NE-15C****

PRECAST CONCRETE – PRIMARY and/or SECONDARY PULL BOX FOUNDATION
4'-0" x 4'-0" x 4'-0" H INSIDE DIMENSIONS

1.0 Scope – This specification details the dimensions, strength, reinforcement, and appurtenances required for fabrication of precast concrete foundation.

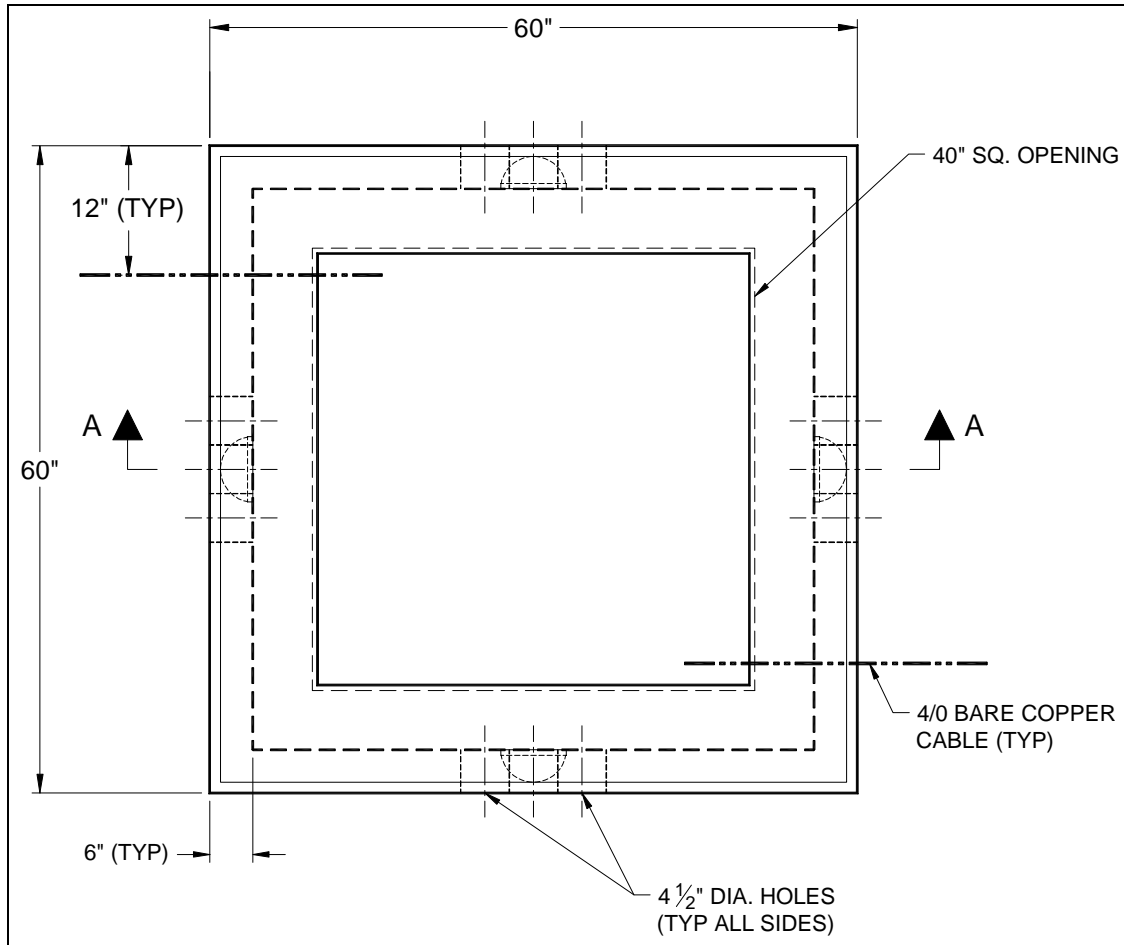
2.0 General – Vendor design and fabrication drawing shall conform to the minimum requirements of this specification and shall be signed and stamped by a Massachusetts registered professional engineer.

3.0 Design Notes

- 3.1 Concrete minimum strength - 5000 psi @ 28 days.
- 3.2 Steel reinforcement - ASTM A615, Grade 60.
- 3.3 Minimum Steel Cover – 1 inch.
- 3.4 Design Loading - AASHTO HS20-44.
- 3.5 Design Specifications – ACI 318 & AASHTO Load Factor Design Method.
- 3.6 Manufacturer's name to be stenciled on vertical wall of access chimney.
- 3.7 All Termaducts to have bell ends flush with the inside wall.

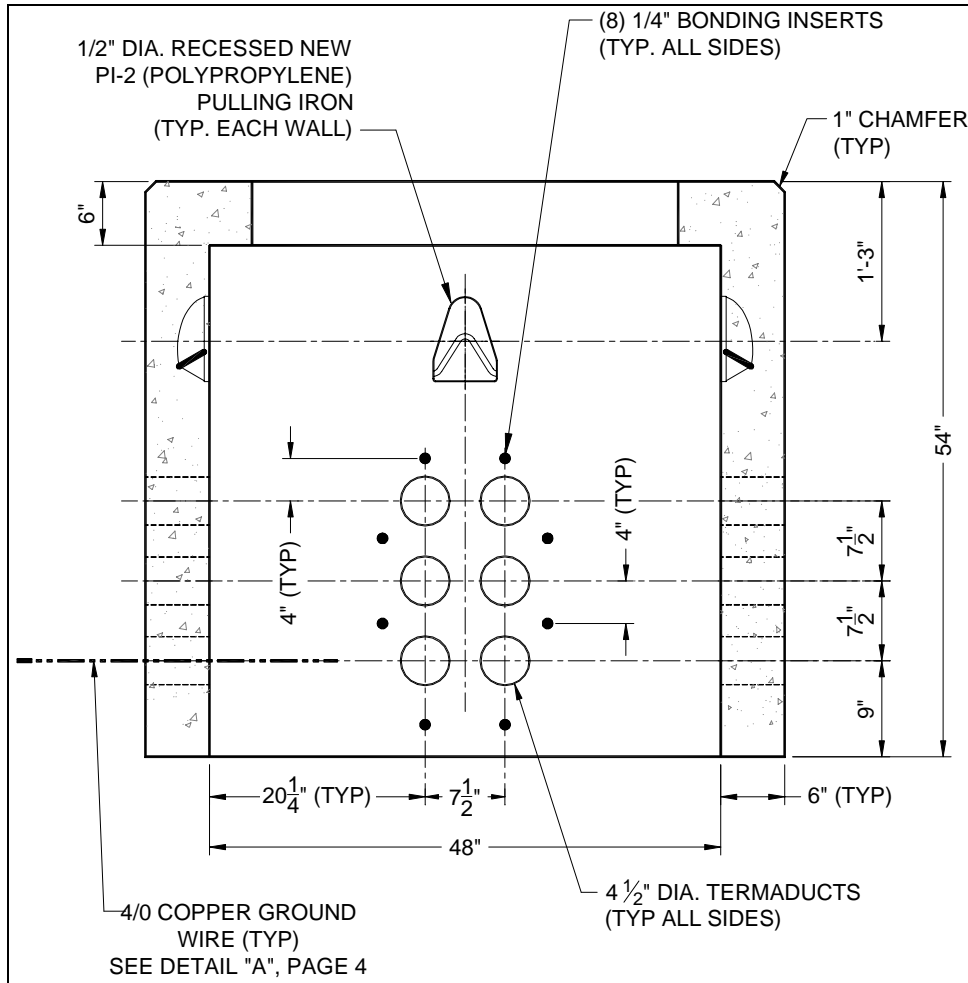
4.0 Bill of Materials

- 4.1 The catalog ID for the precast manhole is 9435.
- 4.2 The catalog ID for the bonding frame is "1229". Bonding frame consists of 1 - #4/0 stainless steel ground clamp, 1 - #10 x 1-1/2" lg x 5/16" dia SS screw and 1- lead plug as supplied by Tools Unlimited Inc, Stoughton, MA (or approved equal).
- 4.3 The recessed pulling eye, "New PI-2", shall be manufactured by Pennsylvania Insert Corp., Spring City, PA (or approved equal).



PLAN

NOTE: DRAWING IS NOT TO SCALE



SECTION A-A

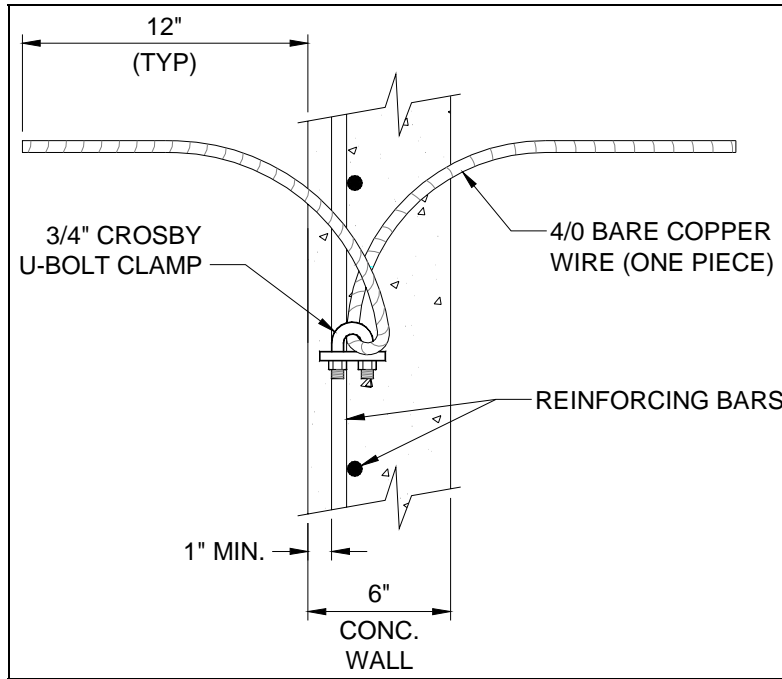
NOTE: DRAWING IS NOT TO SCALE

Issued
13-Aug-07

MATERIAL STANDARD
ELECTRIC OPERATIONS ORGANIZATION



M1208
Revision 0
Page 4 of 4



DETAIL "A"

NOTE: DRAWING IS NOT TO SCALE

Approved by: Elizabeth J. Leonard
Manager, Distribution
Technical Engineering